

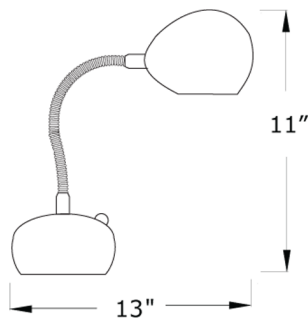
Claylight Porcupine Desk Lamp



This porcupine shaped ceramic desk lamp emits a downwards task light and light textures around it. It has a touch dimmer knob on its base that turns it on or off with a short touch and dims it with a long touch.

The lamp shade is hand made of natural white ceramic and the lamp base is glazed in matte white.

It's an excellent reading light / work light or bedside light.



Lit image, Line pattern



Dot pattern



Day light image

Lamp Base: G6

Wattage: 10W

Supplied bulb: 6W LED

Warranty: 1 year

Country of Manufacture: USA

Weight: 10 - 13 lb.

Listing: All electrical parts are UL listed, UL listing is available upon demand.

Base and Shade Material: Hand made White ceramic.

Finish: Natural matte shade, glazed ceramic base.

Flexible arm: 11" long, brushed nuckel finish.

Perforation Pattern: Select either a line or dot pattern of perforation.

Cord Cover Finish: Braided white

Cord Length: 6'